

# APPLICATION TECHNOLOGY



- Spray Guns
- Spray Gun Connections + Accessories
- Equipment Accessories
- Pumps
- Paint Supplies
- Material Filters
- Material Pressure Regulator

# About Us



## Sprimag Application Technology

### Machines and Application Technology – delivered from one supplier

Sprimag develops and manufactures automated coating and lacquering units for functional and decorative coating of mass-produced parts or for internal coating of metal packages such as tubes, cans and beverage bottles. In our opinion, persuasive products and competent service belong together. Therefore, Sprimag is not only dedicating to manufacture complete systems, but also being an active partner, supporting you and your production process.

Thus, together with our spray guns we can deliver accessories and connection techniques, as well as diaphragm pumps, up to complete paint supply units. In the Sprimag own Applications Center (see picture above) engineers are working at the most different developments and permanently optimize our application technology. Together with our customers we can so deliver complete balanced solutions from one supplier.

#### Spray guns – a Sprimag specialty

In 1906 Otto Heinrich, the Sprimag founder, patented the first spray gun. Today, over 100 years later, Sprimag still develops own spray guns, which perfectly meet the requirements demanded by today's machine technology.

Sprimag offers special configured spray guns for the most difficult and varied applications and paints. Fundamental these are divided in two categories: The **external spray gun** for coating of surfaces and the **internal spray gun**, which is equipped with an extended nozzle to spray parts internally e.g. tubes or cans.

All Sprimag spray guns are made of solvent and acid-proof materials; hence they are also suitable for the use of water-based paints. The piston seals are manufactured from non-reactive PTFE, and hence do not require any adjustment or replacement. On activation of the spray gun, first the control piston moves allowing atomizing air to reach the nozzle, before further moving to allow the paint to flow. Thus, ensuring that from the start, the paint is properly atomized and the spray pattern is controlled.

# Index

## 1. External Spray Guns

### ■ S-7S

- 4 External spray gun S-7S M and S-7S K
- 5 Spare parts, quick release coupling, nozzle sets

### ■ S-7

- 6 External spray gun S-7 M and K
- 7 Spare parts, quick release coupling, nozzle sets

### ■ S-333

- 8 External spray gun S-333
- 8 External spray gun S-333 with lockable air cap
- 9 Spare parts, nozzle sets

### ■ S-233

- 10 External spray gun S-233
- 10 Nozzle sets, spare parts

### ■ S-433

- 11 Small machine spray gun S-433
- 11 Nozzle sets, Spare parts, quick release coupling

## 2. Internal Spray Guns

### ■ S-7

- 12 Internal spray gun S-7 M and S-7 K
- 13 Spare parts, quick release coupling
- 13 Nozzle extension sets for S-7

### ■ S-233

- 14 Internal spray gun S-233
- 14 Spare parts
- 14 Nozzle extension sets for internal spray gun S-233

### ■ S-540 / S-541

- 17 Centrifugal gun S-540 / S-541
- 17 Accessories, Nozzle sets and centrifugal nozzles

## 3. Spray Gun Connections + Accessories

- 18 Air and paint hoses
- 19 Spray gun holders
- 20 Connectors for spray guns
- 21 Dump valves, laser pointer
- 22 Spray gun cover, cleaning set and toolkit

## 4. Equipment Accessories

- 23 V-belt
- 23 Starter tool kit
- 23 Paint stop filter mat

## 5. Paint Supplies

- 24 Survey paint supplies
- 25 2K-/3K-mixing unit
- 26 easyChange color change system
- 26 Small volume supply unit
- 26 Stirrer
- 26 Pressure cup on spray gun
- 27 Paint supply with paint heater
- 27 Paint supply with swiveling lid lifting mechanism
- 27 Paint supply with lid lifting mechanism

## 6. Pumps

- 28 Diaphragm pump MP-SP2
- 29 Spare parts, accessories

## 7. Material Filters

- 30 Inline filter and circulation filter

## 8. Material Pressure Regulators

- 31 Fluid pressure regulator and Fluid back pressure regulator
- 31 Accessories

**please note the order information on the back.**

# 1. External Spray Guns

## NEW: S-7S External Spray Gun

The new spray gun S-7S offers a new jet generation with easy handling and optimal spray results.

### The advantages:

- The modified air cap thread is resistant to soiling and the need to tilt the air cap when screwing it is a thing of the past. A simple and fast change of the air nozzle is ensured.
- The modular design of the S-7S with stitch-line operation or material circulation up to the needle (for sediment rich coatings) is no problem. Alignment is improved between the air cap and paint nozzle by switching to a ball centering method. Due to improved alignment the spray jet provides optimal material distribution which in turn results in improved atomization.
- The material transfer rate has been increased over previous models.

### S-7S M Spray gun with manual paint volume flow adjustment

The material application rate can be adjusted at the spray gun, this provides a reproducible setting of the nozzle stroke. The S-7S M is equipped with a lockable air cap and is available in following variations:

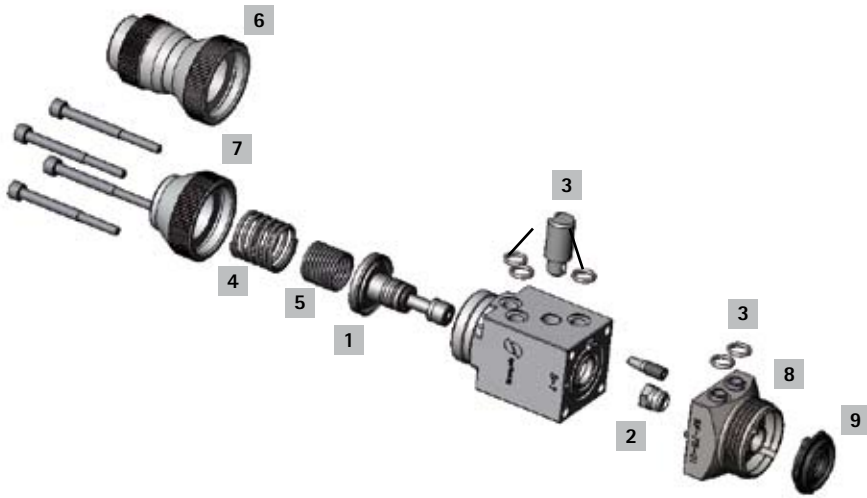
S-7S M without nozzle set	Part no.
<b>S-701S M with paint circulation, without nozzle circulation</b> (e.g. paint supply with circulation, multiple spray guns connected in series, etc.)	52335818
<b>S-702S M without paint circulation</b> (e.g. pressure tank, mixing unit, etc.)	52335819
<b>S-703S M with paint circulation and nozzle circulation</b> (allows paint circulation to the very tip of the nozzle, especially useful for paints which have the tendency to sedimentation, or paints that must be applied warm)	52335820
<b>S-704S M with dump valve</b>	63204224

### S-7S K Spray gun without manual paint volume flow adjustment

The application rate on the S-7S K may be adjusted by varying the material pressure. The S-7S K is equipped with a lockable air cap and is available in following variations:

S-7S K without nozzle set	Part no.
<b>S-701S K with paint circulation, without nozzle circulation</b> (e.g. paint supply with circulation, multiple spray guns connected in series, etc.)	52335822
<b>S-702S K without paint circulation</b> (e.g. pressure tank, mixing unit, etc.)	52335823
<b>S-703S K with paint circulation and nozzle circulation</b> (allows paint circulation to the very tip of the nozzle, especially useful for paints which have the tendency to sedimentation, or paints that must be applied warm)	52335824
<b>S-704S K with dump valve</b>	52335825

## Spare parts for external spray gun S-7S



The modular design of the S-7 series allows retooling of the S-7 spray gun to the new S-7S by simple exchanging the color part.

<b>1 Piston</b>	<b>Part no.</b>
PTFE	50486205
<b>2 Bushing</b>	<b>Part no.</b>
PTFE	52082136
<b>3 O-Rings</b>	<b>Part no.</b>
FEP	51099714
<b>4 Pressure spring D22</b>	
Stainless steel	50044601
<b>5 Pressure spring D18</b>	<b>Part no.</b>
Stainless steel	50044628
<b>6 Paint adjustment 80</b>	<b>Part no.</b>
Manual adjustment ratchet for S-7S M	52331071
<b>7 Spring cap</b>	
Paint adjustment with material pressure regulator for S-7S K	52334719
<b>8 Color section</b>	<b>Part no.</b>
Complete SF-7S-01 for paint circulation	52334977
Complete SF-7S-02 for sitch-line	52334979
Complete SF-7S-03 for paint circulation and nozzle circl, or circulation use	52334978
<b>9 Air distribution ring</b>	<b>Part no.</b>
	63204651

## Quick release coupling for external spray gun S-7S



Ideal for easy separation of the spray gun body from the connections. The exchange can be performed quickly and easy, whilst preserving the pre-set positions.

Quick release coupling for S-7S	Part no.
Standard for S-701S, S-702S and S-703S	52334712
with paint stop	52334935
For S-704S	52334936

## Nozzle sets for external spray gun S-7S

Top atomization at lower air consumption. With the new jet generation **RP®** and **HVLP** all modern coating systems are processed. These innovative nozzles provide optimal atomization with a wider and softer spray jet. The air consumption is reduced by about 20 percent.

RP®	S-7S M	S-7S K	HVLP	S-7S M	S-7S K
0,3 mm	52335700	52335735	0,3 mm	52335716	52335743
0,5 mm	52335704	52335736	0,5 mm	52335717	52335744
0,8 mm	52335708	52335737	0,8 mm	52335718	52335745
1,1 mm	52335709	52335738	1,0 mm	52335720	52335746
1,3 mm	52335710	52335739	1,2 mm	52335721	52335747
1,5 mm	52335712	52335740	1,6 mm	52335722	52335748
1,7 mm	52335713	52335741	2,0 mm	52335724	52335749
2,0 mm	52335714	52335742			



The nozzle set consists the following three components: nozzle, air cap and needle. They are available in various nozzle bore diameters: 0,3 mm up to 2,0 mm.

## S-7 External Spray Gun



The Sprimag spray gun S-7 is an automatic spray gun with pneumatic atomization of paints. Through its user-friendly new modular design and its well-proven technique and functionality it offers significant advantages compared to its predecessors, the S-233 and S-333 spray guns.

### S-7 M Spray gun with manual paint volume flow adjustment



The material application rate can be adjusted at the spray gun, this provides a reproducible setting of the nozzle stroke. The S-7 M is equipped with a lockable air cap and is available in following variations:

S-7 M without nozzle set	Part no.
<b>S-701 M with paint circulation, without nozzle circulation</b> (e.g. paint supply with circulation, multiple spray guns connected in series, etc.)	52334702
<b>S-702 M without paint circulation</b> (e.g. pressure tank, mixing unit, etc.)	52334770
<b>S-703 M with paint circulation and nozzle circulation</b> (allows paint circulation to the very tip of the nozzle, especially useful for paints which have the tendency to sedimentation, or paints that must be applied warm)	52334708
<b>S-704 M with dump valve</b>	52334780

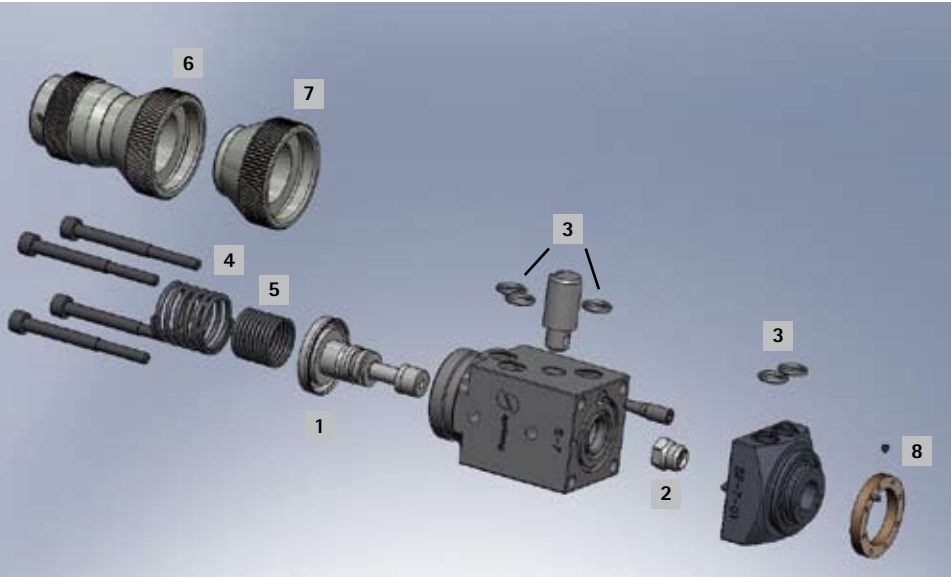
### S-7 K Spray gun without manual paint volume flow adjustment



The application rate on the S-7 K may be adjusted by varying the material pressure. The S-7 K is equipped with a lockable air cap and is available in following variations:

S-7 K without nozzle set	Part no.
<b>S-701 K with paint circulation, without nozzle circulation</b> (e.g. paint supply with circulation, multiple spray guns connected in series, etc.)	52334701
<b>S-702 K without paint circulation</b> (e.g. pressure tank, Mixing Unit, etc.)	52334705
<b>S-703 K with paint circulation and nozzle circulation</b> (allows paint circulation to the very tip of the nozzle, especially useful for paints which have the tendency to sedimentation, or paints that must be applied warm)	52334707
<b>S-704 K with dump valve</b>	52334779

## Spare parts for external spray gun S-7



1 Piston	Part no.
PTFE	50486205
2 Bushing	Part no.
PTFE	52082136
3 O-Rings	Part no.
FEP	51099714
4 Pressure spring D22	Part no.
Stainless steel	50044601
5 Pressure spring D18	Part no.
Stainless steel	50044628
6 Paint adjustment 80	Part no.
Manual adjustment ratchet	52331071
7 Spring cap	Part no.
Paint adjustment with material pressure regulator	52334719
8 Locking ring	Part no.
Brass	52332346

## Quick release coupling for external spray gun S-7



Ideal for easy separation of the spray gun body from the connections. The exchange can be performed quickly and easy, whilst preserving the pre-set positions.

Quick release coupling for S-7	Part no.
Standard for S-701, S-702 and S-703	52334712
with paint stop	52334935
For S-704	52334936

## Nozzle sets for external spray gun S-7

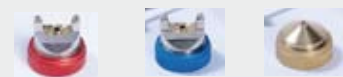
The nozzle sets are equipped with a lockable air cap and compatible for S-333. Special nozzle sets are available on request.

<b>NK 95 (HVL P)</b>	minimized overspray
<b>HK/NK</b>	little overspray/ good atomization
<b>Hydro</b>	lower paint disposal at the nozzle outside
<b>Jet</b>	like Hydro, with fine atomization
<b>Super Jet</b>	like Hydro, with very fine atomization – only circular jet

S-7 M Bore D	NK 95	HK/NK	Hydro	Jet	Super Jet
0,3 mm	52333306	52333305	52333388	52333401	52333416
0,5 mm	52333337	52333332	52333347	52333402	52333369
0,8 mm	52333336	52333331	52333364	52333403	52333421
1,0 mm	52333316	52333351	52333376	52333404	52333427
1,2 mm	52333433	52333308	52333378	52333405	52333428



S-7 K Bore D	K-HK/NK	K-Hydro	K-Super Jet
0,3 mm	52334911	52334748	52334749
0,5 mm	52334913	52334746	52334745
0,8 mm	52334915		



The nozzle set consists the following three components: nozzle and needle. They are available in various nozzle bore diameters: 0,3 mm up to 1,2 mm. **More nozzle sets and special kits are also available on request.**

## S-333 External Spray Gun



The external spray gun S-333 is suitable for all coating agents such as water based paints, solvent paints, UV-paints, soft paints, enamels, emulsions etc.

### S-333 External spray gun



The spray gun S-333 may be fed either directly or by a paint circulation system. The piston seals are manufactured from non-reactive PTFE and hence require no adjustment or replacement. On activation of the spray gun, the control piston first moves to allow atomizing air to reach the nozzle before moving further to allow the paint to flow. Thus, ensuring that from the very start, the paint is properly atomized and the spray pattern is controlled.

S-333 without nozzle set	Part no.
Standard	52333333

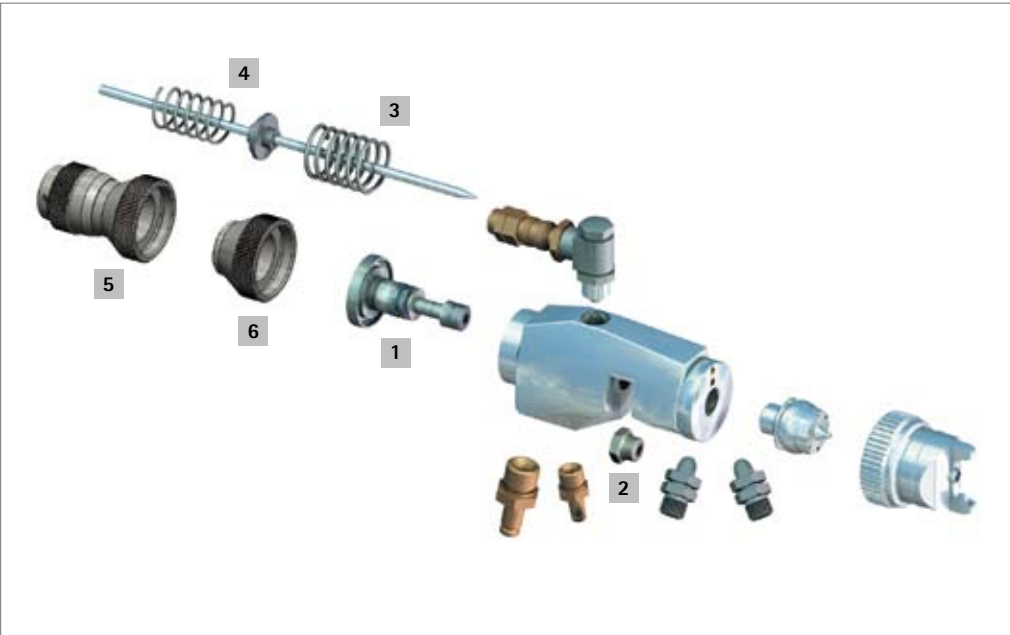
### S-333 External spray gun with lockable air cap



Now the well-proven spray gun S-333 is also available with a lockable air cap. The advantage is, after unscrewing, rinsing and re-installing the air cap, the cap is returned to exactly the same position it was before disassembly. Thus, the positioning of the air cap is absolutely reproducible, i.e. the same spray pattern at the same position is reproduced. Time-consuming adjustments after rinsing are no longer necessary.

S-333 without nozzle set	Part no.
with lockable air cap and nozzle circulation nipple	52333359

## Spare parts for external spray gun S-333



<b>1 Piston</b>	<b>Part no.</b>
PTFE	50486205
<b>2 Bushing</b>	<b>Part no.</b>
PTFE	52082136
<b>3 Pressure spring D22</b>	<b>Part no.</b>
Stainless steel	50044601
<b>4 Pressure spring D18</b>	<b>Part no.</b>
Stainless steel	50044628
<b>5 Paint adjustment 80</b>	<b>Part no.</b>
manual adjustment ratchet	52331071
<b>6 Spring cap</b>	<b>Part no.</b>
Paint adjustment with material pressure regulator	52334719

## Nozzle sets for external spray gun S-333

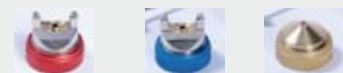
<b>NK 95 (HVL P)</b>	minimized overspray
<b>HK/NK</b>	little overspray/ good atomization
<b>Hydro</b>	lower paint disposal at the nozzle outside
<b>Jet</b>	like Hydro, but with fine atomization
<b>Super Jet</b>	like Hydro, but with very fine atomization – only circular jet

The nozzle set consists of following three components: nozzle, nozzle head and needle. They are available in various nozzle bore diameters: 0,3 mm up to 1,2 mm. The nozzle sets are equipped with a lockable air cap and is compatible for S-7. **More nozzle sets and special kits are also available on request.**

S-333 Bore D	NK 95	HK/NK	Hydro	Jet	Super Jet
0,3 mm	52333306	52333305	52333388	52333401	52333416
0,5 mm	52333337	52333332	52333347	52333402	52333369
0,8 mm	52333336	52333331	52333364	52333403	52333421
1,0 mm	52333316	52333351	52333376	52333404	52333427
1,2 mm	52333433	52333308	52333378	52333405	52333428



S-333 with spring cap Bore D	K-HK/NK	K-Hydro	K-Super Jet
0,3 mm	52334911	52334748	52334749
0,5 mm	52334913	52334746	52334745
0,8 mm	52334915		



# S-233 External Spray Gun



S-233 is the well-proven predecessor of the S-333. Thinner layer thicknesses are possible by especially fine atomization of the paint. The particularly thin layers reduce the consumption of paint. The design and materials of the S-233 offer the same advantages as the S-333.

S-233 without nozzle set	Part no.
with a separate broad jet connection	52330011
with manuell broad jet adjustment	52330008

## Nozzle sets for external spray gun S-233

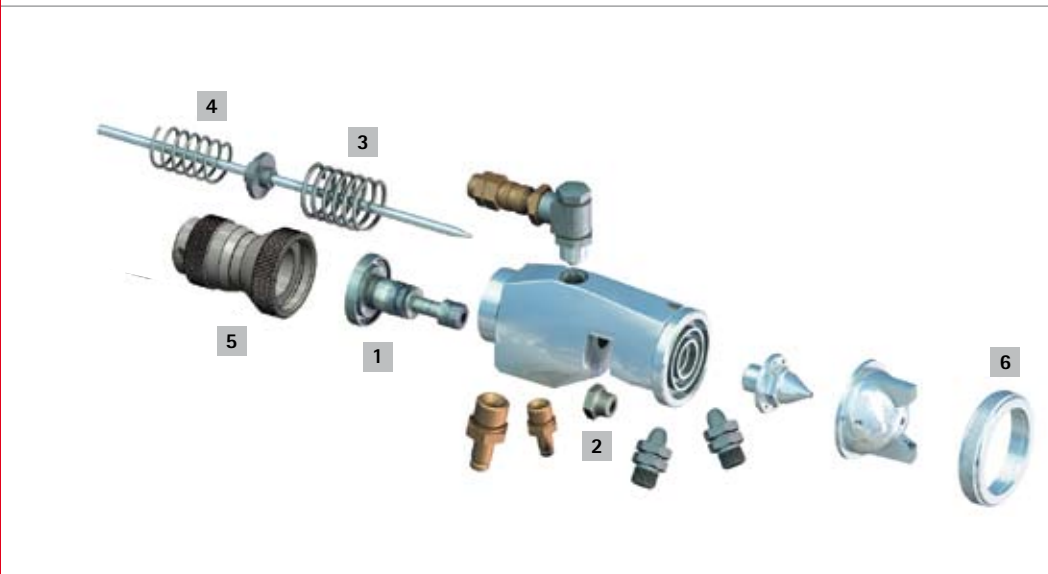


The nozzle set consists the following three components: nozzle, air cap and needle. They are available in various nozzle bore diameters: 0,3 mm up to 1,5 mm.

Nozzle bore D	S-233
0,3 mm	52055058
0,5 mm	52044030
0,8 mm	52028433
1,0 mm	52028174
1,5 mm	52028190



## Spare parts for external spray gun S-233



1 Piston	Part no.
PTFE	50486205

2 Bushing	Part no.
PTFE	52082136

3 Pressure spring D22	Part no.
Stainless steel	50044601

4 Pressure spring D18	Part no.
Stainless steel	50044628

5 Paint adjustment 80	Part no.
manual adjustment ratchet	52331071

6 Ring	Part no.
Nickel-plated aluminum	53009890

# S-433 Small Spray Gun



The small spray gun S-433 is used in cases where the parts have to be coated with a small amount of coating material. The length of the spray gun is 110 mm compared to a standard spray gun with 170 mm. Due to its light and compact design it is possible to coat especially small parts very accurately.

S-433	Part no.
without nozzle set	52334020

## Nozzle sets and spare parts for small spray gun S-433



The nozzle set consists of following three components: nozzle, air cap and needle. They are available in various nozzle bore diameters: 0,3 mm up to 0,8 mm.

Nozzle bore D	S-433
0,3 mm	52334015
0,5 mm	52334016
0,8 mm	52334017



Piston	Part no.
PTFE	52334030

Bushing	Part no.
PTFE	52082136

Pressure spring D25	Part no.
Stainless steel	51090239

Pressure spring D16	Part no.
Stainless steel	51090238

O-Ring	Part no.
	51090242

Tooth disc	Part no.
	52331188

## Quick release coupling for small spray gun S-433

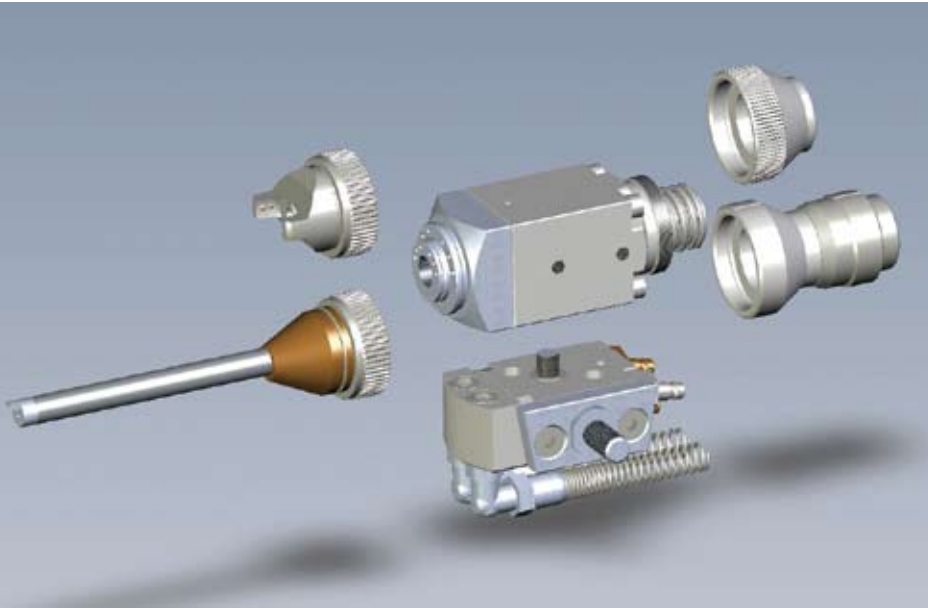


The integrated quick release mechanism is a distinctive feature of the S-433. It allows a quick and easy separation of the spray gun body from the connections such as compressed air hoses which are connected to an adapter plate. The pre-set position remains preserved.

Quick release coupling for S-433	Part no.
	52334031

# 2. Internal Spray Guns\*

## S-7 Internal Spray Gun



The Sprimag S-7 spray gun is an automatic spray gun using pneumatic atomization of paint. The internal spray gun is equipped with a nozzle extension and is therefore ideal for internal coating of items such as collapsible tubes or cans. The side air deflection can be regulated external, separate from the atomizer. The key advantage of the S-7 is its user-friendly, modular design.

### S-7 M Internal spray gun with manual paint volume flow adjustment



The material application rate can be adjusted on the spray gun; this provides a reproducible setting of the nozzle stroke. The S-7 M is equipped with a lockable air cap and is available in following variations:

S-7 M without nozzle set	Part no.
S-701 M with paint circulation, without nozzle circulation (e.g. paint supply with circulation, multiple spray guns connected in series, etc.)	52334702
S-702 M without paint circulation (e.g. pressure tank, mixing unit, etc.)	52334770
S-704 M with dump valve	52334780

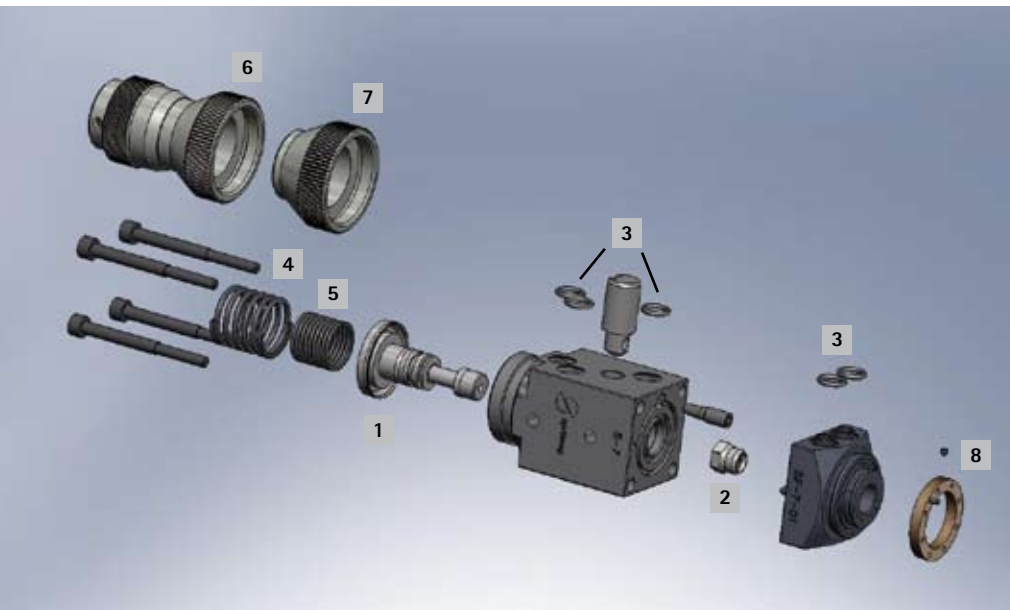
### S-7 K Internal spray gun without manual paint volume flow adjustment



The application rate on the S-7 K may be adjusted by varying the material pressure. The S-7 K is equipped with a lockable air cap and is available in the following variations:

S-7 K without nozzle set	Part no.
S-701 K with paint circulation, without nozzle circulation (e.g. paint supply with circulation, multiple spray guns connected in series, etc.)	52334701
S-702 K without paint circulation (e.g. pressure tank, mixing unit, etc.)	52334705
S-704 K with dump valve	52334779

## Spare parts for internal spray gun S-7



Part no.	Part name
50486205	1 Piston PTFE
52082136	2 Bushing PTFE
51099714	3 O-Rings FEP
50044601	4 Pressure spring D22 Stainless steel
50044628	5 Pressure spring D18 Stainless steel
52331071	6 Paint adjustment 80 manual adjustment ratchet
52334719	7 Spring cap Paint adjustment with material pressure regulator, for S-7 K
52332346	8 Locking ring Brass

## Quick release coupling for internal spray gun S-7



Ideal for easy separation of the spray gun body from the connections. The exchange can be performed quickly and easy, whilst preserving the pre-set positions.

Part no.	Quick release coupling for S-7
52334712	Standard for S-701 and S-702
52334935	with paint-stop
52334936	For S-704

## Nozzle extension sets internal spray gun S-7



Nozzle bores in mm

0,3 0,5 0,8

When ordering always mention version, length L, diameter D and nozzle bore d.

**Example of order:**

Version: S-7-10-A-K  
 Length L: 150  
 Diameter D: 10  
 Nozzle bore d: 0,5

Further nozzle extension sets available on request.

Description	Typ	length L in mm		
		50	100	150
<b>Version S-7-10 diameter: 10,0 mm</b>				
S-7 M Form A with side air boreholes	S-7-10-A-M	x	x	x
S-7 K Form A with side air boreholes	S-7-10-A-K	x	x	x
S-7 M Form N forward spraying without side air boreholes	S-7-10-N-M	x	x	x
S-7 K Form N forward spraying without side air boreholes	S-7-10-N-K	x	x	x

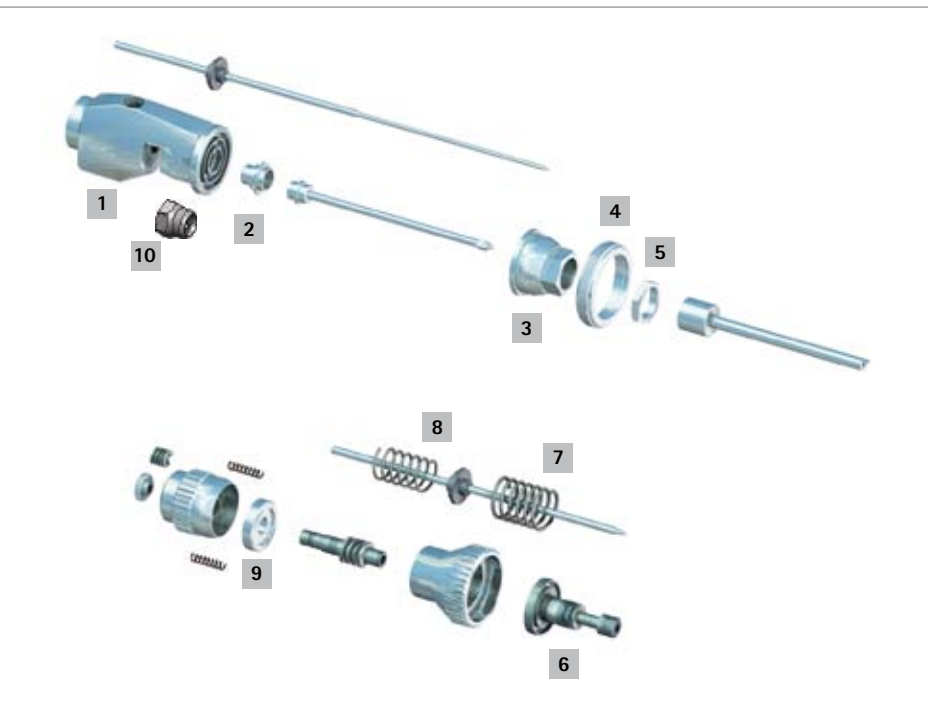
# S-233 Internal Spray Gun



The body of the internal spray gun S-233 with nozzle extension is the same as the conventional spray gun S-233. The nozzle extension is used for the internal coating of items such as collapsible tubes or cans. The high-pressure technology used by all S-233 type spray guns allows the finest atomization. Internal coating of hollow bodies is carried out by rotating the object and vertically stroking the machine spray gun whilst spray the inside through the extension.

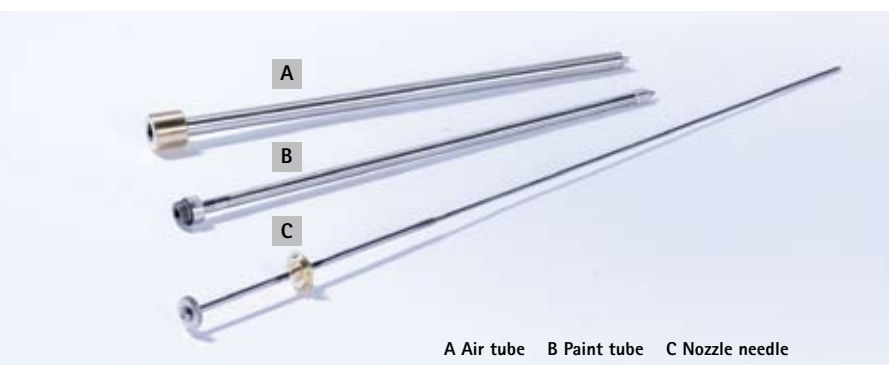
S-233 without nozzle set	Part no.
Standard	52330032
S-233-2 without nozzle set	Part no.
for quick release coupling (only for HIL)	52331005

## Spare parts for internal spray gun S-233



<b>1 Body</b>	<b>Part no.</b>
	52330016
<b>2 Connection</b>	<b>Part no.</b>
	50308455
<b>3 Head</b>	<b>Part no.</b>
	50835226
<b>4 Ring</b>	<b>Part no.</b>
	50835188
<b>5 Lock nut</b>	<b>Part no.</b>
	50835234
<b>6 Piston</b>	<b>Part no.</b>
	50486205
<b>7 Pressure spring D22</b>	<b>Part no.</b>
	50044601
<b>8 Pressure spring D18</b>	<b>Part no.</b>
	50044628
<b>9 Tooth disc</b>	<b>Part no.</b>
	50309036
<b>10 Piston seals</b>	<b>Part no.</b>
	52082136

## Nozzle extension sets Internal Spray Gun S-233



A Air tube B Paint tube C Nozzle needle

Nozzle bores in mm

0,5	0,8	1,0	1,5
-----	-----	-----	-----

When ordering always mention spray gun version, nozzle extension length L, diameter D and nozzle bore d. Standard versions and lengths available on request.




### Example of order:

Version:	S-07-A
Length L:	200
Diameter D:	7
Nozzle bore d:	1,0






# Nozzle Extension Sets

## Internal Spray Gun S-233






### Nozzle Extension Sets Diameter D5

model	rein- forced	length in mm	Nozzle Diameter in mm			
			0,5	0,8	1	1,5
<b>A</b>			<b>45° standard version</b>			
		50	52104153	50315745		
		100	50753408	50311928	50721166	
		150	50816728	50311960	50824330	
		200	52100567	50312002	52105923	
		250	52151112	52104131	52151114	
<b>G</b>			<b>spraying straight ahead with 8 side air boreholes</b>			
		50	52107198	50824410		
		100	50816701	50824216	50824232	
		150	50784460	50801445	50824437	
		200	50824452	50824453	50824454	
		250	52116072	50104135	50105944	
<b>N</b>			<b>spraying straight ahead without side air boreholes</b>			
		50	52107188	52107190		
		100	52107192	52102643	52332173	
		150	52107194	52107196		

### Nozzle Extension Sets Diameter D7

model	rein- forced	length in mm	Nozzle Diameter in mm			
			0,5	0,8	1	1,5
<b>A</b>			<b>45° standard version</b>			
		150	50315818	50315826	50315834	50315850
		200	50315869	50315877	50315885	50315907
		250	50315176	50315915	50315923	50315940
		300	50859036	50862274	50320684	50321060
	<b>X</b>	350	63203174	52332319	52332326	63203175
<b>AD</b>			<b>45° standard version with enlarged nozzle bore</b>			
		200	50315958	50315966	50315974	
		250	50315982	50315990	50316008	
		300	50862517	50862525	50727210	
		350	63203182	52028719	53105415	
	<b>X</b>	350	50862576	50862592	50466131	
<b>B</b>			<b>45° with 2 side air boreholes</b>			
		200	52107202	52107204	52107206	50747122
		250	52107208	52107210	50862452	50747123
		300	63203176	50862461	63203177	63203178
		350	63203179	63203180	52332109	63203181
<b>G</b>			<b>spraying straight ahead with 8 side air boreholes</b>			
		200	50307963	50485381	50801739	50353760
	<b>X</b>	200	50863750	50863378	63203187	63203189
		250	50316016	50475297	50784656	50805424
	<b>X</b>	250	50727130	63203184	63203186	63203190
		300	50859028	53109684	50320685	50784940
	<b>X</b>	300	50708186	50708187	63203188	63203191
<b>N</b>			<b>spraying straight ahead without side air boreholes</b>			
		150	52006553	53105498	50890219	63203193
		200	52107238	50485403	52107240	63203194
		250	63203192	52331268	52102691	50863629

### Nozzle Extension Sets Diameter D10

model	rein- forced	length in mm	Nozzle Diameter in mm			
			0,5	0,8	1	1,5
<b>A</b>			<b>45° standard version</b>			
		150	50316121	50316130	50316148	50316164
		200	50316180	50316199	50316202	50316229
		250	50316245	50316253	50316261	50316288
		300	50316300	50316318	50316326	50316342
		350	50876534	50876542	50876550	50307998
<b>AD</b>			<b>45° standard version with enlarged nozzle bore</b>			
		200	63203135	52107271	52107273	50316598
		250	63203136	50316601	50316610	50316059
		300	63203137	52107269	50319511	52107279
		350	63203138	50859117	50320986	50876837
<b>B</b>			<b>45° with 2 side air boreholes</b>			
		200	52331136	52107251	50721603	52107253
		250	53114790	52107255	52107257	50721581
		300	63203139	52107259	52107261	52106820
		350	63203140	63203242	52331135	50721583
<b>G</b>			<b>spraying straight ahead with 8 side air boreholes</b>			
		200	50848226	52107283	52107285	50848220
		250	52062771	52033984	52089319	52107287
		300	52107481	52331253	52089320	52331254
		350	63203141	63203142	53116219	52332317
<b>N</b>			<b>spraying straight ahead without side air boreholes</b>			
		150	63203144	52110468	50308056	50867390
		200	63203145	52089009	52102685	50805386
		250	52331357	63203147	50885304	50319660
		300	63203146	63203148	52331240	52331370
		350	53104014	63203149	63203150	53105449

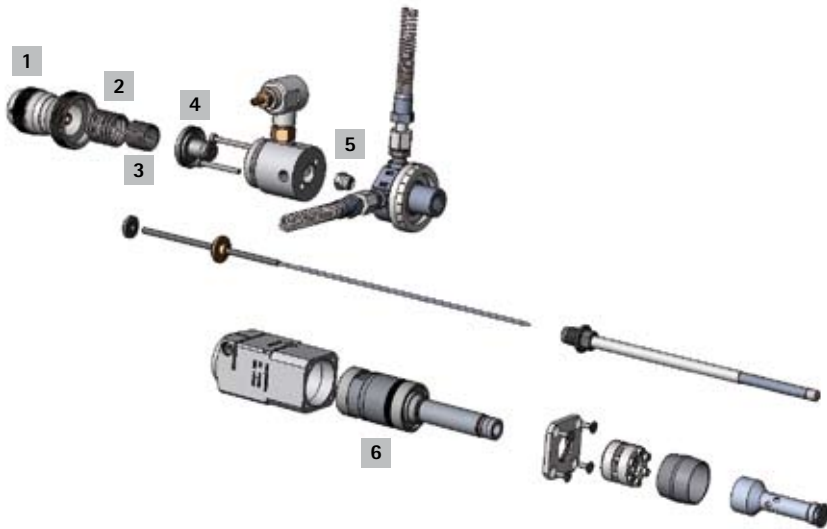
# S-540 / S-541 Centrifugal Gun



The machine centrifugal gun is especially suitable for applying high viscous coating agents such as adhesives or sealants. The centrifugal gun may be fed either directly or by a paint circulation system.

Centrifugal gun without nozzle set and centrifugal nozzles	Part no.
S-540 Application: seal ring for aluminum tubes	52335400
S-541 Application: adhesives and anti friction coating	52335403

## Spare parts for Centrifugal Gun S-540



<b>1 Paint adjustment</b>	<b>Part no.</b>
	52331071
<b>2 Pressure spring D22</b>	<b>Part no.</b>
	50044601
<b>3 Pressure spring D18</b>	<b>Part no.</b>
	50044628
<b>4 Control piston</b>	<b>Part no.</b>
	52335432
<b>5 Bushing</b>	<b>Part no.</b>
	52082136
<b>6 Flow pipe</b>	<b>Part no.</b>
	52335418

## Nozzle sets and centrifugal nozzles for S-540

Description	Reference	Part no.
<b>Nozzle set (nozzle needle + paint tube)</b>	<b>Tube Ø</b>	
S-540 0,5 small tubes	9-19 mm	52335444
S-540 0,8 small tubes	9-19 mm	52335407
S-540 1,0 small tubes	9-19 mm	52335445
S-540 0,5 large tubes	19-60 mm	52335442
S-540 0,8 large tubes	19-60 mm	52335443
S-540 1,0 large tubes	19-60 mm	52335406
<b>Centrifugal nozzle</b>	<b>Tube Ø</b>	
S-540 6 slit	9-15 mm	52335450
S-540 9 slit	13-19 mm	52335451
S-540 12 slit	19-25 mm	52335452
S-540 14 star	19-25 mm	52335479
S-540 16 star	22-30 mm	52335458
S-540 20 star	28-40 mm	52335459
S-540 25 star	35-55 mm	52335476
S-540 30 star	40-60 mm	52335477

# 3. Spray Gun Accessories and Equipment

## Air and Paint Hoses



Pos.	Color of hose	Application
1	red	Control air
2	blue	Atomizing air
3	green	Broad jet
4	clear/transparent	Paint

### Hoses at the spray gun

Application	Material	Diameter (outside/inside)	Color	Part no.
Control air	Plastic hose PU	6/4	red	51067602
Atomizing air	Plastic hose PU	8/6	blue	51067792
Broad jet	Plastic hose PU	8/6	green	51067603
Paint – good rinsing	FEP	8/6	clear/transparent	51094839
Atomizing air	PE-LD	8/6	blue	51102952
Broad jet	PE-LD	8/6	blue	51099980
Control air	PE-LD	6/4	red	51102951

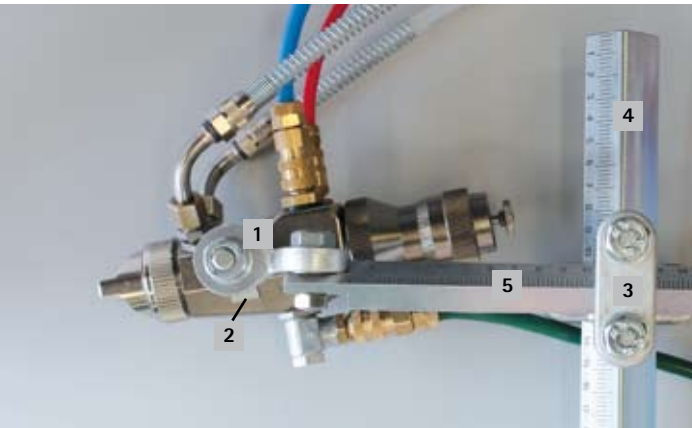
### Hoses for compressed air supply

Application	Material	Diameter (outside/inside)	Color	Part no.
Compressed air	Plastic hose PU	6/4	blue	51067791
Compressed air	Plastic hose PU	8/6	blue	51067792
Compressed air	Plastic hose PU	10/7,5	blue	51067793
Compressed air	Plastic hose PU	12/9	blue	51067794
Compressed air	Plastic hose PU	14/11	blue	51065655
Compressed air	PE-LD	6/4	blue	51202728
Compressed air	PE-LD	6/4	black	51201608
Compressed air	PE-LD	6/4	green	51102953

### Hoses for Paint Supplies

Application	Material	Diameter (outside/inside)	Color	Part no.
Paint – good rinsing	FEP	6/4	clear/transparent	51094838
Paint – good rinsing	FEP	8/6	clear/transparent	51094839
Paint – good rinsing	FEP	10/6	clear/transparent	51099851
Paint – good rinsing	FEP	12/8	clear/transparent	51099654
Paint – good rinsing	FEP	12/9	clear/transparent	51094840
Paint – Standard	PA	8/6	clear/transparent	50041599
Paint – Standard	PA	10/6	nature	51099787
Paint – Standard	PA	12/9	nature	51002422
Paint – isolated, UV	EPDM	16/9	black-orange	50145742
Paint – isolated, UV	EPDM	20/13	green	51064986

# Spray Gun Holders





## Fixing of the bars on the machine




<b>Slide clamp, complete</b>	<b>Part no.</b>
For steel bar 25x25	52160377


## Reproducible spray gun holders

<b>2</b>		<b>Holder with scale</b>	<b>Part no.</b>
		Applicable for Spray Guns: S-333 and S-233	52105450

	<b>Holder without scale</b>	<b>Part no.</b>
	Applicable for Spray Guns: S-333 and S-233	52105451


	<b>Holder for Small Spray Gun</b>	<b>Part no.</b>
	Only applicable for the Small Spray Gun: S-433	52105489
	Bolt M8/M10	


<b>1</b>		<b>Joint</b>	<b>Part no.</b>
		Joint with one scale	52100293
		Joint with additional scale	52334952


	<b>Holder for S-7 complete with screws</b>	<b>Part no.</b>
	Only applicable for Spray Gun S-7	52334758


## Mounting bars


<b>5</b>		<b>Aluminum bar with bolt</b>	<b>Part no.</b>
		15x15 200 long	52105490


	<b>Aluminum bar with bolt</b>	<b>Part no.</b>
	15x15 400 long	52105491


	<b>Cross unit 25/25</b>	<b>Part no.</b>
		52100294

<b>3</b>		<b>Cross unit 25/15</b>	<b>Part no.</b>
			52100295


	<b>Cross unit 15/15</b>	<b>Part no.</b>
		52100296


	<b>Aluminum bar</b>	<b>Part no.</b>
	15x15 400 long	52100097


<b>4</b>		<b>Steel bar</b>	<b>Part no.</b>
		25x25 500 long	52100253


	<b>Steel bar</b>	<b>Part no.</b>
	25x25 1000 long	52105492

## Round rods

	<b>Round spray gun holders</b>	<b>Part no.</b>
	round, V2A D12 400 long	52116458

	<b>Round spray gun holders</b>	<b>Part no.</b>
	round, V2A D12 600 long	52150507

	<b>Holder rod</b>	<b>Part no.</b>
	V2A D20 200 long	50499749




	<b>Holder rod</b>	<b>Part no.</b>
	V2A D20 350 long	50492590

# Connectors for Spray Guns

## Control air

	<b>Plug-in-nipple</b> NW2,7 - 1/8", applicable for Spray Guns: S-7, S-333 and S-233	<b>Part no.</b> 50136751		<b>Locking coupling</b> NW2,7 - 6/4, applicable for Spray Guns: S-7, S-333 and S-233	<b>Part no.</b> 50136743
---	--	-----------------------------	---	---	-----------------------------



## Atomizing air

	<b>Plug-in-nipple</b> NW5 - 1/8", applicable for Spray Guns: S-7, S-333 and S-233. Description: Broad jet atomizing air with S-7	<b>Part no.</b> 51067601		<b>Plug-in-nipple</b> NW5 - 1/4", applicable for Spray Guns: S-333 and S-233. Description: Atomizing air	<b>Part no.</b> 50136778
	<b>Locking coupling</b> NW5 - 8/6, applicable for Spray Guns: S-7, S-333 and S-233 Broad jet and atomizing air	<b>Part no.</b> 50136760			

## Paint connectors

	<b>Paint connection</b> R1/8"-M12X1, applicable for Spray Guns: S-7, S-333 and S-233	<b>Part no.</b> 53012093		<b>Paint connection</b> R1/8"-1/4"	<b>Part no.</b> 53105409
	<b>Paint connection</b> R1/8"-3/8"	<b>Part no.</b> 53105410		<b>Hose nipple</b> straight M12X1, applicable for Spray Guns: S-7, S-333, and S-233	<b>Part no.</b> 53012042
	<b>Hose nipple</b> 60° M12X1, applicable for Spray Guns: S-7, S-333 and S-233	<b>Part no.</b> 53012115		<b>Anti-kink</b> M12X1, applicable for Spray Guns: S-7, S-333, and S-233	<b>Part no.</b> 51041924
	<b>Hose nipple</b> 90° with Anti-kink, applicable for Spray Guns: S-7, S-333 and S-233	<b>Part no.</b> 51102757		<b>Paint connection</b> for hose nipple for 51102757, applicable for Spray Guns: S-7, S-333, and S-233	<b>Part no.</b> 53104048

## Miscellaneous accessories

	<b>Paint nozzle key</b> Applicable for spray guns: S-7 and S-333	<b>Part no.</b> 51067067		<b>Adjustment of broad jet</b> Manual, applicable for spray guns S-233 and S-333	<b>Part no.</b> 53012250
				<b>Broad jet connection</b> Applicable for spray guns S-233 and S-333	<b>Part no.</b> 53104080

# Spray Gun Accessories

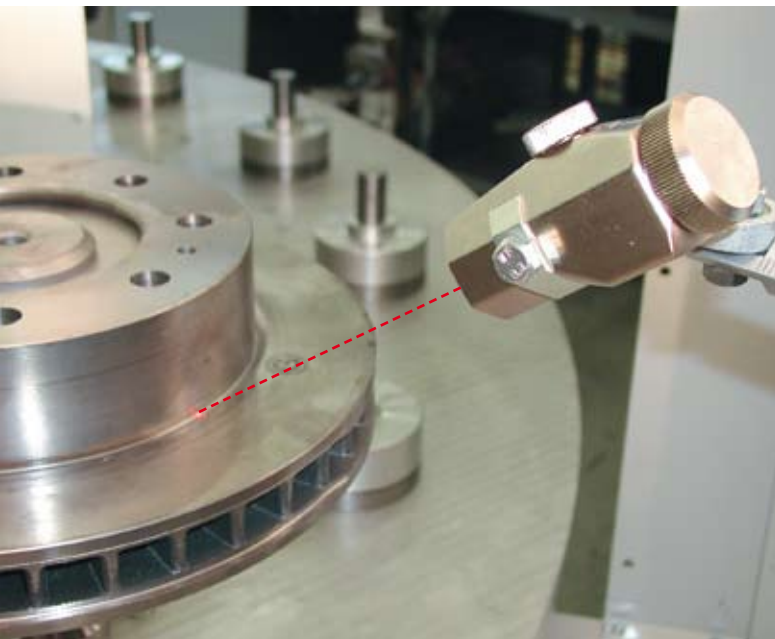
## Dump valve



The Sprimag dump valve facilitates the rinsing of the spray gun in all systems using a single circuit feed e.g. 2K-/3K-Units with automatic scheduled feed e.g. 2K-/3K-Units with automatic scheduled pot rinsing. The dump valve opens and closes the fluid return. The material and solvent can flow quickly. The cleaning time is reduced significantly. Contamination of the spray cabin is also reduced by returning the rinsing solvent back to a dump container.

Dump valve	Part no.
for S-233 and S-333	52156873
for S-704 and S-704S	52334963

## Laser pointer adjustment aid



S-233 and S-333

Adjustment aid for the exact adjustment of the spray jet by means of a laser pointer. The adjustment aid is compatible with the reproducible spray gun holders for S-233, S-333, S-7 and S-7S.



S-7 and S-7S

Laser pointer adjustment aid	Part no.
for S-233 and S-333	52331520
for S-7 and S-7S	52335205

### Spray gun cover



To protect the spray gun from coating contamination, we have developed a special protective cover. The cover is tailored exactly to the Sprimag spray guns and fits all models.

Spray gun cover	Part no.
	63205970

### Cleaning set for spray guns



The cleaning kit is ideal for the requirements of Sprimag spray guns. It helps you to clean and maintain the Sprimag spray guns easily.

Cleaning set for spray guns	Part no.
22-piece set	63204384

### Toolkit for spray guns



With the toolkit for Sprimag spray guns you always have the right tool available to maintain and operate your spray gun optimally.

Toolkit for spray guns	Part no.
	63204690

### Replacement kit for air distribution ring S-7S



In case of damage and leakage of the air distribution ring it should be replaced with a new one. The replacement kit contains three air distribution rings, an extraction tool, and one user manual.

Replacement kit for air distribution ring S-7S	Part no.
	632304651

# 4. Equipment Accessories

## V-belts



V-belts	Part no.
Toothed	51201741
Non-toothed	63205577

Please specify the desired length with you order/inquiry.

## Starter tool kit



With our starter kit you always have available those tools necessary for professional work. The Sprimag starter kit includes:

- Tool roll case
- Thermometer to measure the paint temperature
- Micro chronometer splash-proof
- Metering comb to measure the wet layer thickness
- Viscosity metering cup
- Gloves
- Special keys to install HVLP nozzles, 19 mm fork
- Allen key 2,5 mm to adjust the scale ring
- Cleaning brushes
- Brush for airless nozzles
- Combination wrench size: 10,11,13,14, 17

Starter tool kit	Part no.
	52161000

## Paint stop filter mat



**Paint stop filter mat**    **Part no.**  
100 mm thick, 20 m roll    51067893  
1.524 mm wide



**Paint stop filter mat**    **Part no.**  
50 mm thick, 20 m roll    50082040  
1.016 mm wide

# 5. Paint Supplies



## Survey: Sprimag paint supplies

The paint supply is taking an increasing position of importance in the field of application technology. By the correct accessories mistakes in the coating process can be avoided, processes improved and simplified, and at the same time, production costs reduced. With its products Sprimag offers a complete range of paint supplies for an optimal coating solution, from small quantities up to mixing plants.

Our pressure cup is the right solution for small quantities. Its characteristics are its clear and simple design. Paint supplies with circulation are suitable for suspended particle paints and zinc dust paint. One very important argument is the quick and cost saving rinsing.

More and more demanding coating agents are requiring more and more 'able' paint supplies. Therefore, Sprimag has especially designed the Sprimag 2K-/3K-mixing unit for the use in automatic coating units. It enables the processing of paints with very short pot times. The consumption of the coating agents can be continuously monitored. In addition to our paint supply our easyChange offers a convenient solution for the automatic changing of colors.

To decide which of the paint supplies is most suitable for your requirements, we would be glad to be of assistance to advise you. The following is a survey of our range of supply.

# 2K-/3K-Mixing Unit



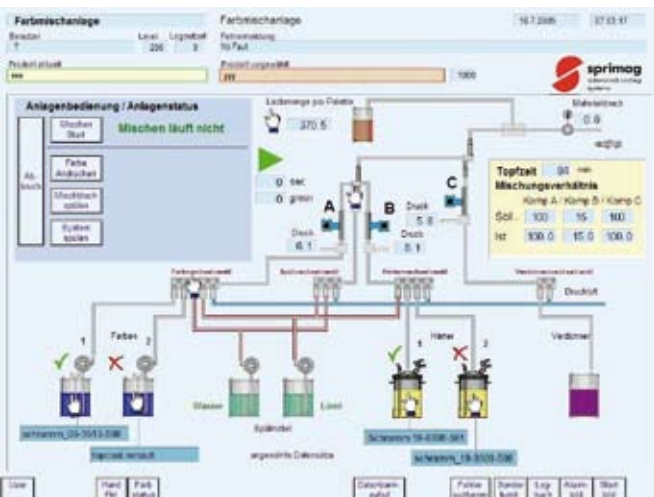
The multi-component mixing unit is an important part of many coating machines. But also, the mixing ratio of the components must be continuously monitored and adjusted. Therefore, out of standard components, Sprimag has designed its own 2K-/3K-mixing unit with automatic color exchange. It can be either integrated completely into the control system of a coating line, or controlled by its own independent control system.

In either version, the 2K-/3K-mixing unit may be easily integrated into the operations of the paint shop.

The central unit control is based on an industrial PC with a graphical user interface.

All parameters and processes can be visualized, controlled and saved by PC. All adjustable parameters can be saved as a PC data file referenced to the parts to be painted. Relevant data sets can be collected, evaluated and journalized. This paint supply is suitable for water and solvent based paints, softfeel paints as well as laser paints.

2K-/3K-mixing unit	Part no.
with color change system	on request



Touchscreen user interface

## Characteristics of the mixing unit:

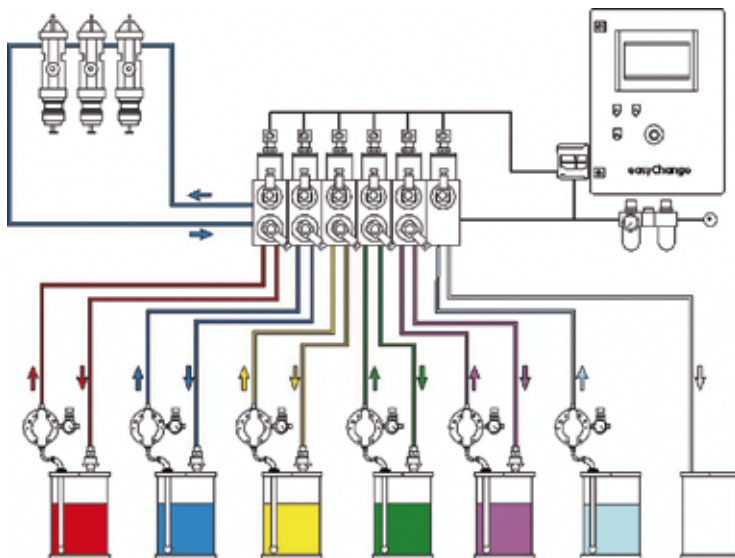
- Flexible, all mixable application agents can be processed
- Data logging, capture of production data, error diagnostic
- Remote maintenance by modem possible
- Pot life monitoring with advance warning times
- Precise metering over the entire flow range
- Integration into central control of coating machines, possible at any time
- Database for paint, curing agent, paint thinner
- Incl. pre-configured rinsing programs

## Precise mass flow metering by Coriolis-metering cells

- No metering slide, no calibration is necessary (volumetric metering)
- No mechanical components inside paint flow stream, hence, maintenance free
- Large metering range
- Precise metering over the entire flow range

## 5th Chapter | Paint Supplies

### easyChange color change system



#### Characteristics of easyChange:

- Circulation of paint to the spray gun
- Paint changing elements and valves made of stainless steel
- Seals made of special material

With easyChange you will receive a concept for an integrated quick and clean color change. easyChange has been designed for the use with automatic painting units and is also applicable for rinsing only.

#### Options

easyChange is available as a „stand-alone“ version with its own PLC allowing to be installed into existing units, or into new lines as a module integrated in the control system. Easily extendable to several colors, or for only one color with rinsing agent connection.

easyChange color change system	Part no.
	on request

- Tubing made of FEP
- Coating agents to be used may be either water or solvent based
- Rinsing cycle freely programmable for each coating agent
- PLC control with touch panel

### Small volume supply unit



#### Consisting of:

- Rack with drain tray
- Sprimag diaphragm pump
- Material pressure regulator + fly-back control
- Circulation filter
- Optional: with pneumatic stirrer
- Optional: fill level sensor

#### Small volume supply unit Part no.

without stirrer 63205342

with stirrer 63205340

For small paint volume - up to 6 liter. The circulation as well as the stirrer blade are optimized to avoid sedimentation of the paint in the container. As paint and solvents are saved during the changeover of paint and rinsing process, the environmental impact is significantly reduced. Furthermore, the application and handling of the 6-l-paint supply is very easy. Needless to say, the paint supply is also suitable for water-based paints. Unit category according to EC Directive 94/9/EC II 2 G c .

### Stirring unit



With the stirring unit the next paint can be prepared parallel to the running production.

#### A single-module consists of:

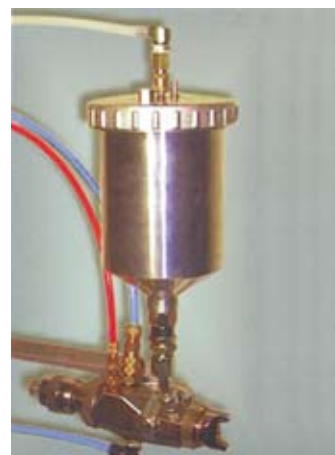
- 1 lifting device with drain tray
- Pneumatic stirring unit
- Suitable for container 20 / 25 / 30 l

#### Stirring unit Part no.

single 63204932

double 63204934

### Pressure cup on spray gun



- 0,5 l version

Pressure cup	Part no.
	52116062


## Paint supply with paint heater



### Consisting of:

- Double diaphragm pump
- Flow-type heater with temperature control with max. +/- 0,75 C
- Filter
- Material pressure regulator
- Fly-back control

### Advantages:

- Process consistency through constant viscosity
- Saving of solvents
- The suction is done direct from the supply container
- Improved atomization for highly viscous paint Especially suitable for high viscosity paint or paints with a reduced solvent ratio 
- Unit category according to EC directive 94/9/EC II 2G c

This paint supply is suitable for coating agents which are processed at a temperature of between 30° to 80° C. A heated paint can cool down in the nozzle of the spray gun. This can lead to a loss in the atomization quality of the coating. In order to guarantee a consistent process, we would suggest the adding of a Sprimag circulation element to spray guns.

Paint supply	Part no.
with 1 controller for 1 circulation	63200989
with 2 controller for 2 circulations	63200934
with 3 controller for 3 circulations	53128623

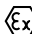
## Paint supply with pneumatic swiveling lid lifting mechanism max. 30 l basic version



### A single module consists of:

- Lifting device swiveling with drain tray for 2 container
- Sprimag diaphragm pump
- Material pressure regulator + flyback control
- Material filter
- Pneumatic stirring unit
- Suitable for container 20 / 25 / 30 l

### Advantages:

- Quick change of paint
- Short cleaning times
- Re-fill without production downtimes
- Processing out of supplier delivered containers
- No loss of paint due to circulation and stirring unit
- All parts coming in touch with the material are made out of stainless steel
- Unit category according to EC Directive 94/9/EC II 2G c 

### Options on request:

- Monitoring of liquid level
- Cover unit with stirrer also available electrically

Paint supply	Part no.
30 l basic version	63204881

## Paint supply with lid lifting mechanism 200 l basic version



### A single module consists of:

- Frame with lifting unit
- Electronic stirrer (frequency-regulated)
- Sprimag diaphragm pump

### Advantages:

- Quick change of paint
- Short cleaning times
- Processing out of supplier delivered containers
- No loss of paint due to circulation and stirring unit
- All parts coming in touch with the material are made out of stainless steel
- Suitable for container up to 1000 mm height

### Options on request:

- Monitoring of liquid level
- 2 or 3 modules units
- ATEX version

Paint supply with lid lifting mechanism	Part no.
without electrical installation	52161575

# 6. Pumps

## Diaphragm Pump MP-SP2



The diaphragm pump MP-SP2 developed by Sprimag has been designed for a discharge flow of up to 6 l/min and a material pressure of 16 bar. This double diaphragm pump with a transmission ratio of 1:1 is especially suitable for gentle conveyance of the most sensitive paints. A change-over valve without dead point in connection with ball valves working in special guides guarantees minimal pulsation with respect to flow.

### Design characteristics:

- High reliability through robust stainless steel construction; 1:1 principle, through which the diaphragms are not over-trained by too high pressure differentials; oil free brass air control valve; absolutely protected against dry running damage by adjustable dry running strokes by the inlet air throttle valve.
- Through the inlet air throttle valve is a smooth start and easy priming delivered.
- High maintainable operating pressure (up to 16 bar).
- Minimal pulsation by a special valve design, whilst retaining excellent suction behavior.
- Optimal rinsing through the design of the chambers.
- Optional additional coating of the chambers with an anti-adhesive coating such as PTFE is available (also repairable).
- Simple servicing, limited number of parts, reusable seals, and exchangeable valve sets.
- Explosions proof Ex II 2G c T4
- Suitable accessories such as mounting frame, air regulator, material filters, suction pipe etc.

A PTFE-sandwich diaphragm with a completely integrated metal core delivers durable long life when processing most common paint/solvent combinations. With respect to fluid flow the fluid chamber was designed with the minimal of dead space, greatly facilitating the rinsing process. When supplied with the optionally available special Teflon coating of the interior this pump represents the state-of-the-art for rinsing when compared to other systems.

### Technical Data:

- Max. capacity (water) ~ 6,0 l/min
- Max. supply air pressure 16 bar
- Max. material pressure 16 bar
- Transmission ratio 1:1
- Max. stroke rate (double strokes) 60 1/min
- Max. consumption of air (for 16 bar/ 6,0l/min) 360 NI/min
- Average consumption of air (for 16 bar/ 0,5l/min) 29 NI/min
- Fluid connections R 1/2"
- Max. diameter of solids (e. g. for filter press applications) 2 mm
- Range of viscosity (viscosity is directly proportional to the possible flow rate) 1 up to ~ 5000 Secs.
- Max. fluid / compressed air temperature 80 °C
- Measurements L x W x H (without connections) 156 x 154 x 254 mm
- Weight ~13 kg
- Explosion protection Ex II 2G c T4

Diaphragm Pump MP-SP2	Part no.
MP-SP2 VA-TE-VA-OH-E: standard	52159413
MP-SP2 VA-TE-VA-TE-E: Teflon coated side cap and valves	52158399

## Accessories diaphragm pump **MP-SP2**



**Air connector fitting** Part no.  
52159405



**Fluid Fittings** Part no.  
52160354



**Holder for pump** Part no.  
52154284



**Holder for filter** Part no.  
left 52159401  
right 52161652



**Extension unit** Part no.  
52158510  
For circulation filter,  
filter screen available  
between 60 and 320 µm see page 30

## Spare parts diaphragm pump **MP-SP2**



**E-Kit** Part no.  
52159404  
Kit of all important  
wearing parts



**Diaphragm 1 item** Part no.  
51201460



**Control valve** Part no.  
52159410

# 7. Material Filter suitable for paint, curing agent, solvent, water

## Inline filter



Inline in front of the spray gun, especially used with paint mixing units without paint circulation.

Type	Description	Part no.
<b>Body</b>	Stainless steel, 1/4" connection thread	52161666
<b>Filter screen</b> Filter surface 24 cm <sup>2</sup>	50 µm silver	51201653
	75 µm red	51099701
	100 µm blue	51099702
	150 µm yellow	51099703
	240 µm white	51009704
	410 µm green	51200557
<b>Spare parts</b>	Body sealing	52157512
	Anti pressure spring	51200437

## Circulation filter



Installed behind the supply pump, especially for use with systems with long stationary times.

Type	Description	Part no.
<b>Body</b>	Stainless steel, 3/8" connection thread	52158506
<b>Filter screen</b> Filter surface 78 cm <sup>2</sup>	60 µm No 1	52160321
	90 µm No 4	51200371
	140 µm No 5	51200372
	190 µm No 6	51200373
	240 µm No 9	51200374
	320 µm No 12	51200375
<b>Spare parts</b>	Body sealing	52158509
	Anti pressure spring	51200377
	Centering cone	52157529

# 8. Material Pressure Regulator

## Fluid pressure regulator and fluid back pressure regulator



Fluid pressure regulator	Part no.	Fluid back pressure regulator	Part no.
With PTFE coating	52161859	With PTFE coating	52161869
Without PTFE coating	52162423	Without PTFE coating	52162424

### Optimized pressure regulator for applications in single and multi component paint systems

Sprimag completes the range of applications technology with a new material pressure regulator. The aim of conception was to combine the different aspects: function, maintenance and flexibility.

#### Features:

- Rinsing optimized internal cavities with minimal dead spots
- All parts in contact with fluids are stainless steel
- Set point setting via pressure air, to preserve the diaphragm surface
- Precise regulation through large diaphragm and low friction valves
- Easy separation for maintenance/cleaning (using standard tools)
- Integrated connection for dead spot free pressure control
- Flow- or return-regulators share the largest possible number of common parts
- Several mounting possibilities for optimal arrangement in the system
- Maximum inlet pressure up to 16 bar
- Different pressure regulation ranges available
- Discharge up to about 10 liter/minimum
- Connection thread G1/4"
- Ex II 2G c T4

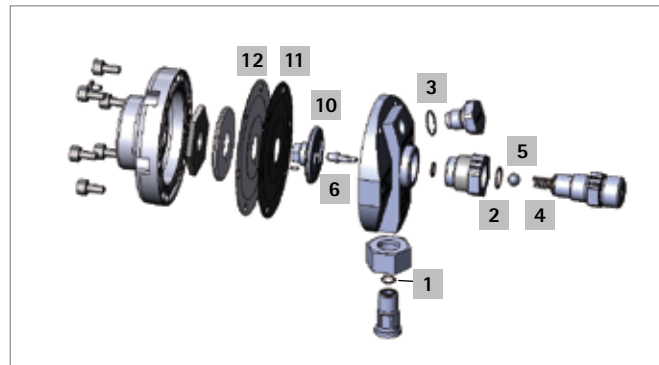
## Spare parts and wear part kits for Sprimag material pressure regulator

Position	Ident-Nr.	Description
1	51202128	O-Ring 8x1 PTFE
2	51095241	O-Ring 13x1 PTFE
3	51202129	O-Ring 15x1 PTFE
4	51203233	Spring seal seat
5	51202965	Valve ball D8
6	52161865	Rod type A
7	52161867	Seal seat body
8	52161872	Plunger type B
9	52161871	Seal seat
10	51202958	Index pin 2m 6x4
11	51202956	Diaphragm
12	51202966	Support disc

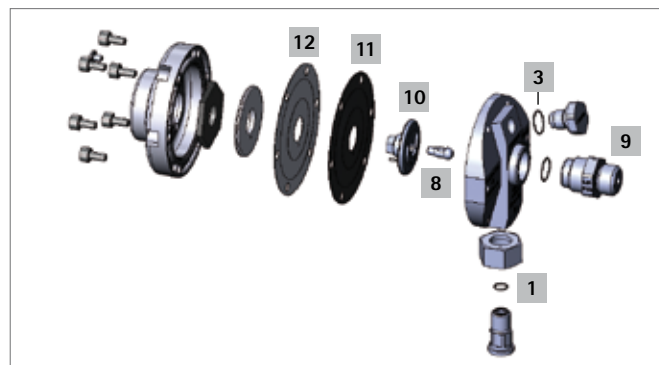
Start equipment kit fluid pressure regulator	Part no.
Consisting of items 1-7, items 10-12 and small wrench SW 3.2	52162451

Start equipment kit fluid back pressure regulator	Part no.
Consisting of items 1 and 3, items 8-12 and small wrench SW 5	52162452

Diaphragm set	Part no.
Consisting of: diaphragm, support disc	52162434

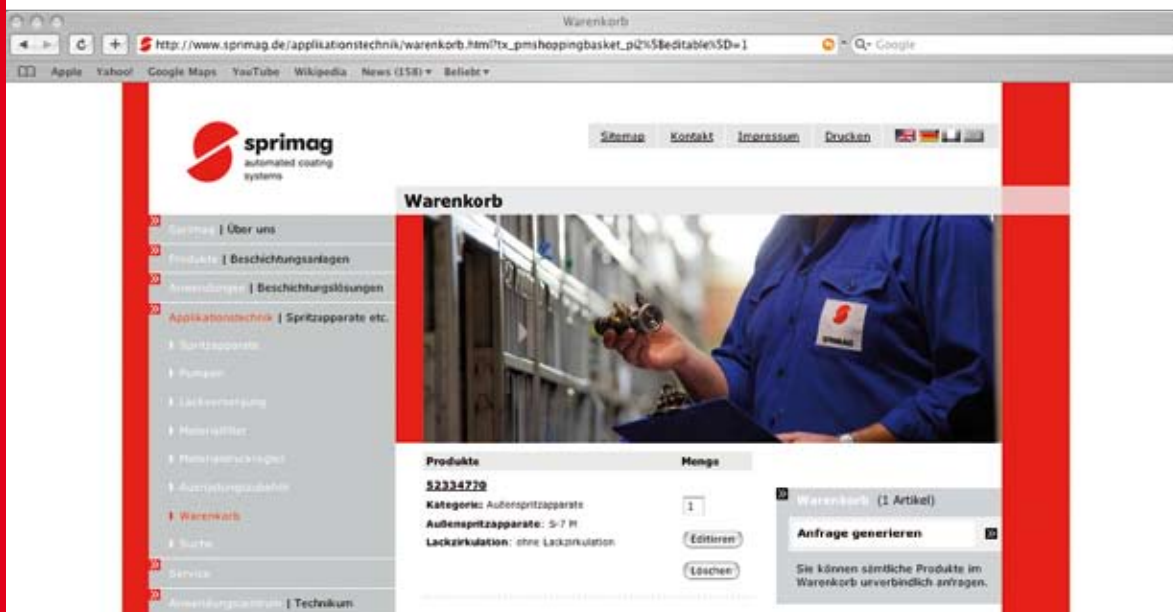


Fluid pressure regulator



Fluid back pressure regulator

# Ordering is as simple as that!



## By shopping cart on our website:

Please visit the Sprimag shopping cart under:

**[www.sprimag.com/application technology](http://www.sprimag.com/application%20technology)**

## By e-mail or fax:

Please send an e-mail with the part numbers and your machine number (for regular customers) to:

**[service@sprimag.de](mailto:service@sprimag.de) or Fax +49 (0) 70 21/579-107**

## By phone:

**Tel. +49 (0) 70 21/579-330**

In case you are interested in a product not shown in this brochure, please do not hesitate to contact us. We would also be glad to help you in the case of special versions.



**For regular customers:**

**Please indicate your machine number!**

## Sprimag

### Spritzmaschinenbau GmbH & Co. KG

Henriettenstraße 90

D-73230 Kirchheim/Teck · Germany

Tel. +49 (0) 70 21/579-0

Fax +49 (0) 70 21/579-107

[www.sprimag.de](http://www.sprimag.de)

[info@sprimag.de](mailto:info@sprimag.de)

## Sprimag, Inc.

9965 Cincinnati-Dayton Road  
West Chester, OH 45069 · USA

Tel. +1 (0) 513 - 779 - 57 30

Fax +1 (0) 513 - 779 - 57 39

[www.sprimag.com](http://www.sprimag.com)

[info@sprimag.com](mailto:info@sprimag.com)

## Sprimag Brasil Ltda.

Rua Ferreira Viana No. 630/640  
CEP 04761010

Capela do Socorro · São Paulo · Brazil

Tel. +55 (0) 11 - 55 25 - 61 64

Fax +55 (0) 11 - 55 25 - 61 60

[www.sprimag.com.br](http://www.sprimag.com.br)

[sprimag@sprimag.com.br](mailto:sprimag@sprimag.com.br)

